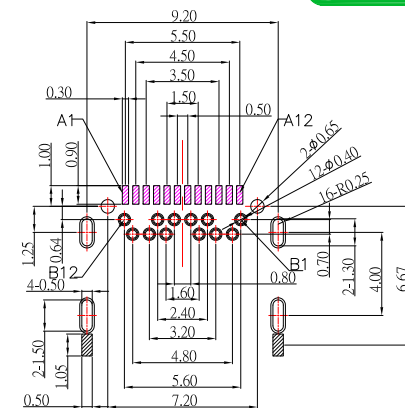


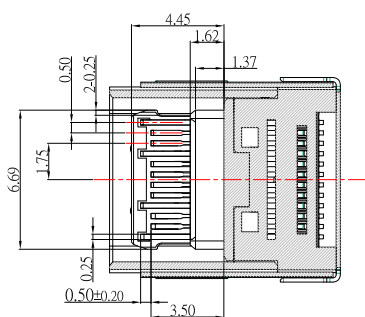
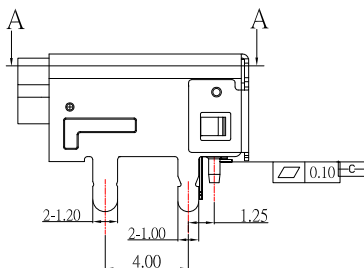
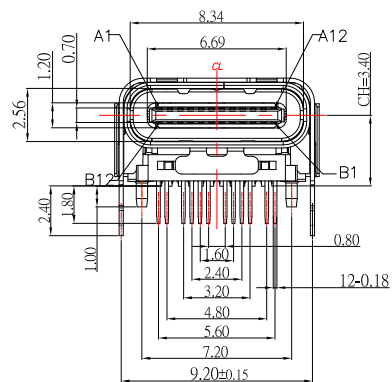
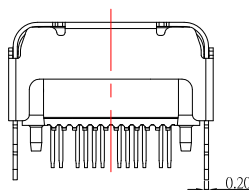
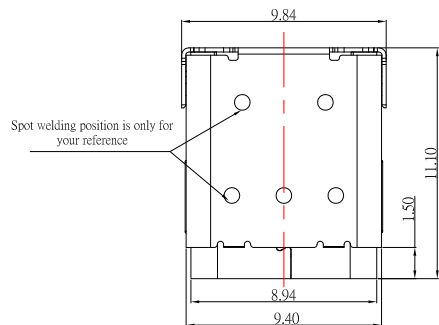


# SBC-240S19-31x-S165

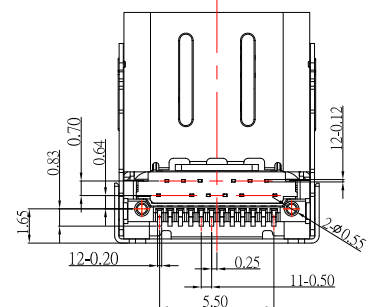
鍍層厚度:  
Blank : 1u"  
2 : 15u"  
3 : 30u"



P.C.B LAYOUT MOUNTING PATTERN



SECTION A-A



| Pin No | Signal Name | Mating Sequence | Pin No | Signal Name | Mating Sequence |
|--------|-------------|-----------------|--------|-------------|-----------------|
| A1     | GND         | First           | B12    | GND         | First           |
| A2     | TX1+        | Second          | B11    | RX1+        | Second          |
| A3     | TX1-        | Second          | B10    | RX1-        | Second          |
| A4     | Vbus        | First           | B9     | Vbus        | First           |
| A5     | CC1         | Second          | B8     | SBU2        | Second          |
| A6     | D+          | Second          | B7     | D-          | Second          |
| A7     | D-          | Second          | B6     | D+          | Second          |
| A8     | SBU1        | Second          | B5     | CC2         | Second          |
| A9     | Vbus        | First           | B4     | Vbus        | First           |
| A10    | RX2-        | Second          | B3     | TX2-        | Second          |
| A11    | RX2+        | Second          | B2     | TX2+        | Second          |
| A12    | GND         | First           | B1     | GND         | First           |
| SHELL  | GND         |                 | SHELL  | GND         |                 |

## SPECIFICATIONS

### Electrical:

- 1.Rating: 5.0V AC , 3.0A
- 2.Contact Resistance: 40 mΩ Max
- 3.Insulation Resistance: 100 MΩ Min
- 4.Dielectric Withstanding Voltage: 100V AC

### Mechanical:

- 1.Connector Mate and Unmate Force
  - 1.1 Mate force: 5~20 N
  - 1.2 Unmate force: 8~20 N

### Material:

- 1.Housing: LCP
- 2.Contact: C7025
- 3.Shell: SUS

### Finish:

- 1.Contact: Plated Gold in Mating Area ;  
Tin Plated on Solder Balls ;  
Nickel under plated overall
- 2.Shell: Nickel under Plated surface layer

**CONTACT** 建倚科技股份有限公司  
**CONTACT TECHNOLOGY CORP.**

TOLERANCE UNLESS OTHERWISE STATED:  
Up to 5 ±0.2  
Above 5 ~ 15 ±0.3  
Above 15 ~ 30 ±0.4  
Above 30 ~ 50 ±0.5  
Angle ±0.3°

3RD. ANGEL'S  
UNITS MM

|              |          |             |          |                                       |
|--------------|----------|-------------|----------|---------------------------------------|
| DRAWN BY:    | DATE     | MAT'L       | TITLE    | CONNECTOR                             |
| Jack Lu      | 12/01/23 |             | MODLE    | TYPE C/F 加高型 CH:3.4 SMT+ DIP 腳 L:11.1 |
| CHECKED BY:  | DATE     | FINISH      | DWG NO.  | SBC-240S19-31x-S165                   |
| Jacky Chen   | 12/01/23 | SCALE 1 : 1 | PART NO. | SBC-240S19-31x-S165                   |
| APPROVED BY: | DATE     | SHEET NO.   | 1 of 1   |                                       |
| Tony Kao     | 12/01/23 |             |          |                                       |

|          |             |       |        |
|----------|-------------|-------|--------|
| ITEM NO. | DESCRIPTION | DRAWN | DATE   |
| 2        | 更新圖面        | Jack  | 120123 |
| 1        | 更新MODEL描述   | Jack  | 120522 |